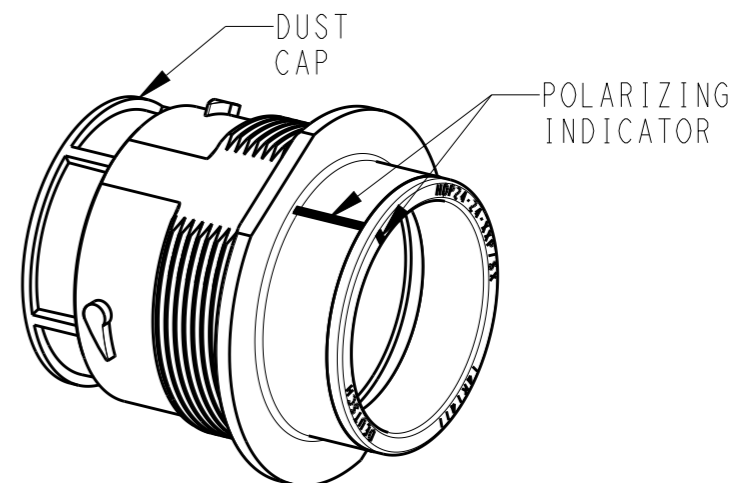
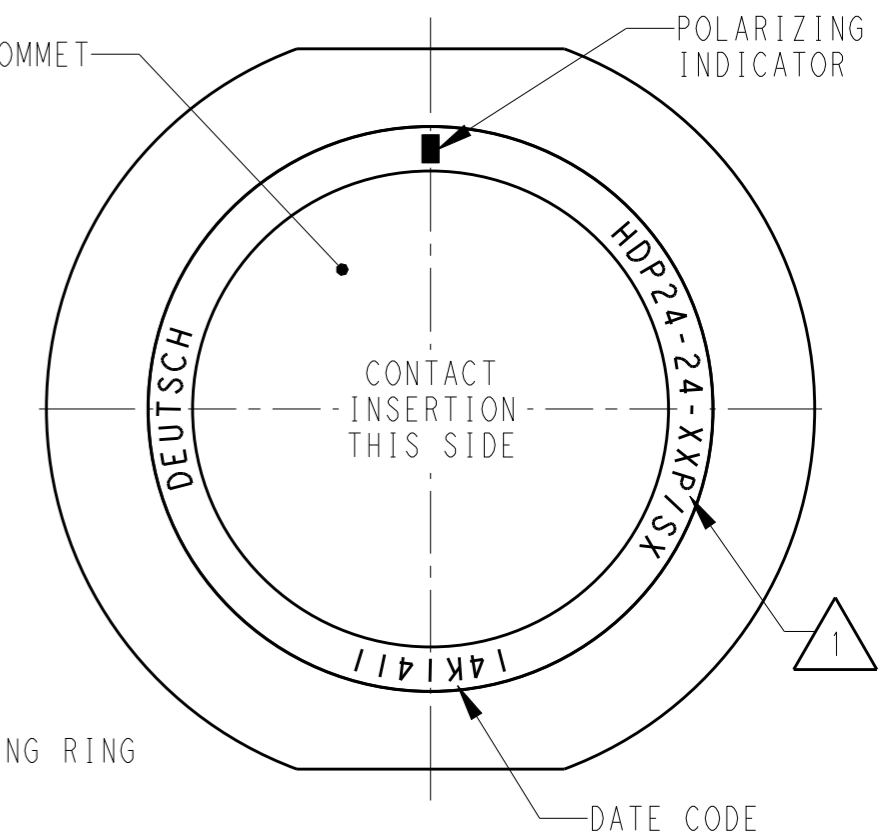
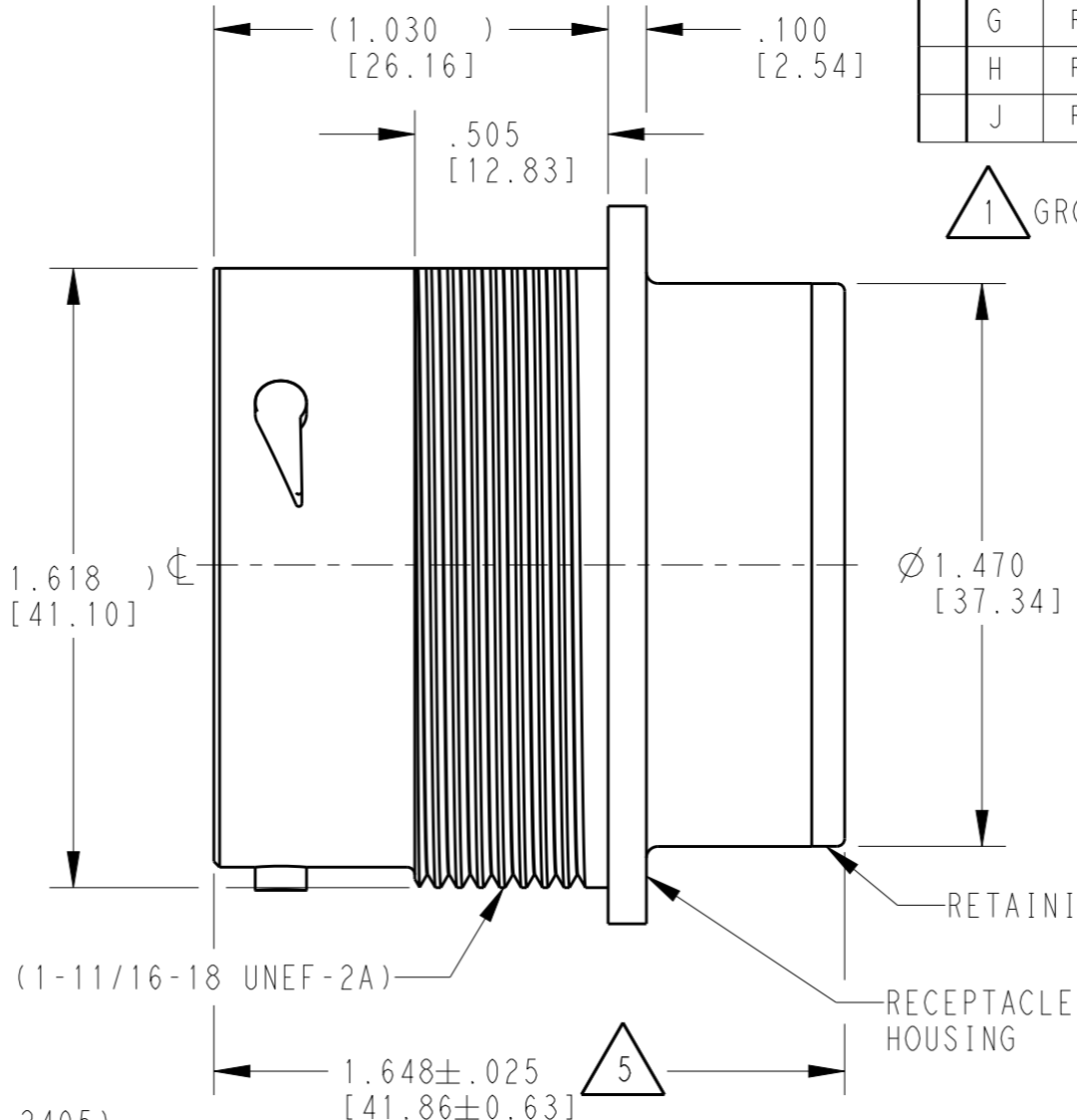
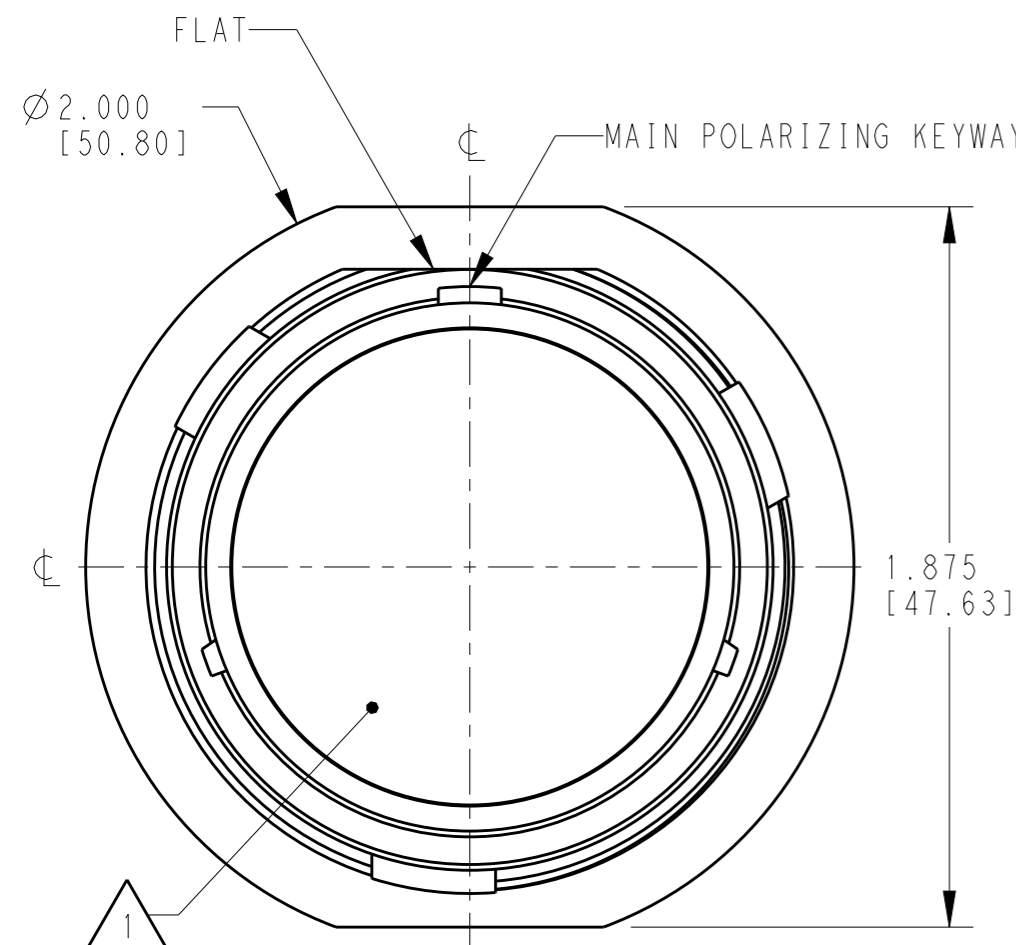


LOC	DIST	REVISIONS			
P	LTR	DESCRIPTION	DATE	DWN	APVD
	F	REVISED PER E.O. P18119	14APR2003	AR	RDR
	G	REVISED PER E.O. P18449	04FEB2004	XS	RDR
	H	REVISED PER E.O. P21391	15JUN2012	AM	RDR
	J	REVISED PER ECO-14-019072	23FEB2015	JA	DM



6. RECEPTACLE IS SUPPLIED WITH DUST CAP (2415-001-2405).

5 NOTED DIMENSION DOES NOT INCLUDE GROMMET PROTRUSION.

4 MATERIAL: RECEPTACLE HOUSING: PA66 GF10 (BLACK)
 RETAINER RING: PA66 GF10 (GREEN, GRAY, BLUE)
 GROMMET: SILICONE (ORANGE-RED)

3 SEE 0425-021-0000 APPLICATION SPECIFICATION
 A. RECOMMENDED WIRE INSULATION RANGE
 B. CONTACT REMOVAL TOOLS
 C. RECOMMENDED MOUNTING HOLE & PANEL THICKNESS
 D. MOUNTING HARDWARE & MOUNTING TORQUE.

2. THIS RECEPTACLE MATES WITH HDP26-24-XXP/SX-XXXX PLUG
 X = SEAL TYPE (N,T,E)
 XX = INSERT ARRANGEMENT
 XXXX = MODIFICATION

1 SEE CUSTOMER DRAWING, 0425-014-2400 FOR AVAILABLE INSERT ARRANGEMENTS AND PART NUMBERS.

NOTES:

THIS DRAWING IS A CONTROLLED DOCUMENT.		DWN	03MAR2000	 TE Connectivity	NAME RECEPTACLE, THREADED SIZE 24 HDP SERIES
DIMENSIONS: INCHES [mm]		CHK	04FEB2004		
TOLERANCES UNLESS OTHERWISE SPECIFIED:		APVD	16JAN2004		
0 PLC ± 1 PLC ± 2 PLC ± 3 PLC ±.015 [0.38] 4 PLC ± ANGLES ±0°30'0"		PRODUCT SPEC	0425-021-0000	SIZE	A3
MATERIAL		APPLICATION SPEC	3	CAGE CODE	4AFU8
FINISH		WEIGHT	N/A	DRAWING NO	0425-021-0000
Customer Drawing		SCALE 2:1		RESTRICTED TO	-
		SHEET 1 OF 1		REV	J